

TopPage>>Search Result>>53220U

Thrust Ball Bearings

Bearing No. : **NACHI 53220U**

■ Bearing Type

■ Clearance

■ Tolerance Class

Dimensions

d = 100 0
 -0.020

D = 150 0
 -0.025

T3 = 40.9

T4 = 45

r = 1.1~2.7

(Radial Direction and Axial Direction)

d1(max) = 150

D1(min) = 103

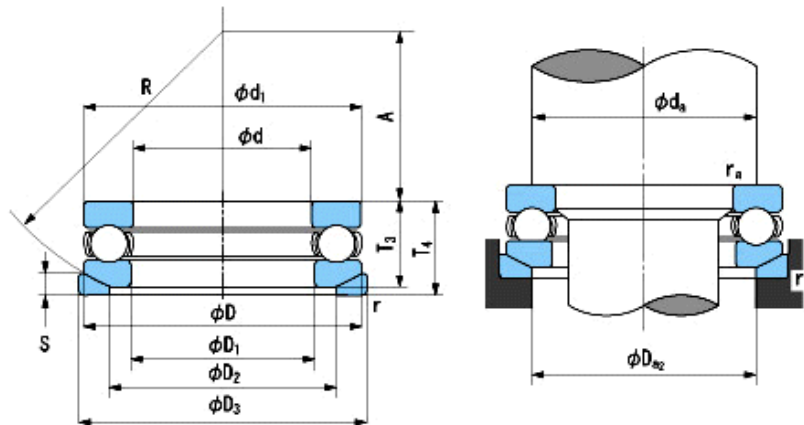
D2 = 125

D3 = 155

S = 14

R = 112

A = 52



Dimensions
da(min) = 130
Da2(max) = 125
ra(max) = 1
Mass = 2.87 kg

Basic Dynamic Load Rating Ca : **146,000** N

Basic Static Load Rating Coa : **410,000** N

Limiting Speed ;

Grease Lubrication : **1,300** min⁻¹

Oil Lubrication : **1,900** min⁻¹

	INNER RING	OUTER RING
O.D.Surface Runout with Side :		-
Axial Runout with Bore :	-	
Axial Runout with Raceway :	-	-
Width Variation :	-	-
Radial Runout :	-	-